

SZG512 series of led street light with dark sky



Applications:

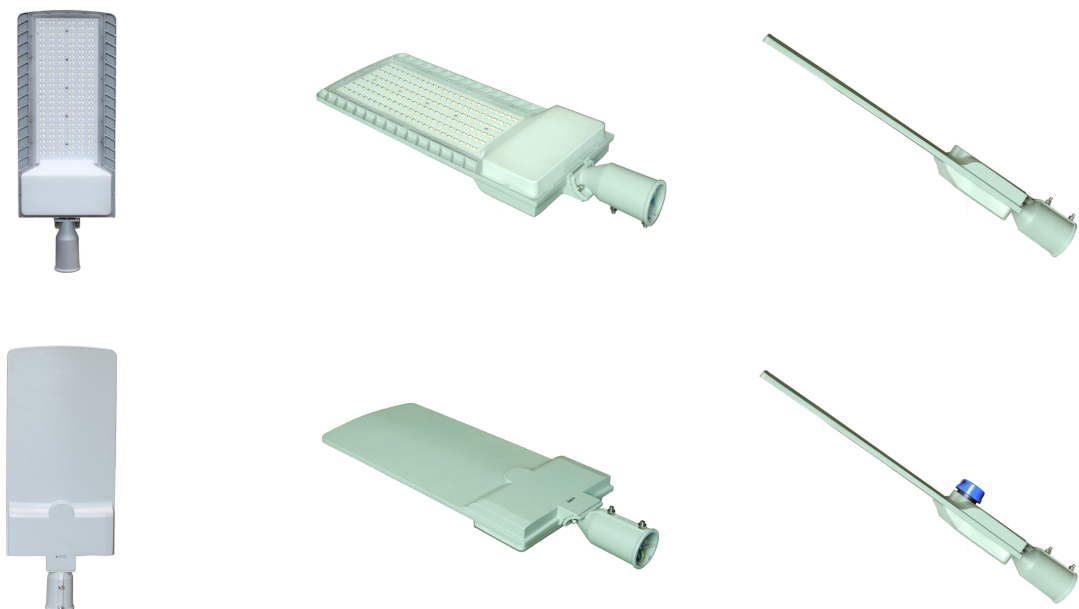
- expressway roads
- urban main roads, secondary roads
- economic development zone and high-tech park road
- industrial and mining plant road
- tourist attractions
- resort road
- park, parking roads

Note: It can be with 2.4G Mesh slave controller and gateway to form 2.4G Mesh ADHOC wireless lighting control system.

Description of performances:

brand of led chip	luminous efficacy of led chip	luminous efficacy of luminaire	streamline shell	brand of led driver	power efficiency
PHILIPS	240 lm/W(5050 chips) 230 lm/W(3030 chips)	200 lm/W(5050 chips) 185 lm/W(3030 chips)	streamline shell without dust accumulation	Inventronics Trismart Lighting	≥94%
power factor	total harmonic distortion	light sensor	adjustable angle	dark sky requirement	IP protection
≥0.95	≤10%	NEMA light sensor optional	tilt adjustable	yes	IP66

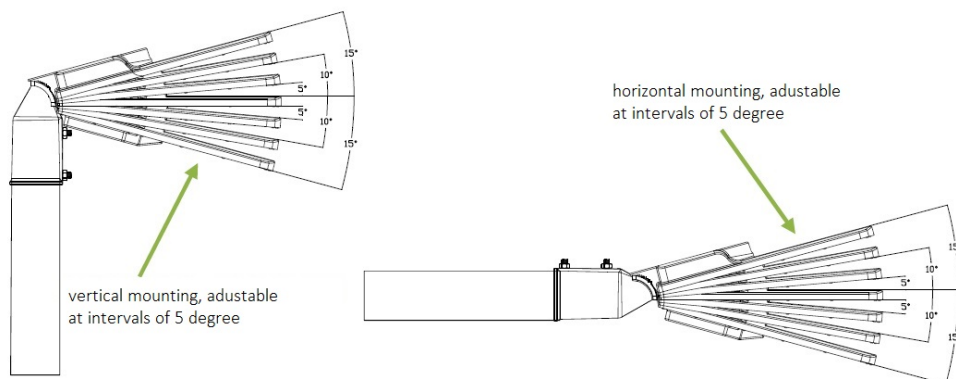
Product profiles:



Technical parameters:

Parameter items	75W	100W	150W	200W
Input voltage (V)	90-305Vac	90-305Vac	90-305Vac	90-305Vac
Power efficiency	≥94%	≥94%	≥94%	≥94%
Power factor	≥0.95	≥0.95	≥0.95	≥0.95
Surge lightning protection (V)	6000	6000	6000	6000
Total harmonic distortion	≤10%	≤10%	≤10%	≤10%
Brand of led chip	Philips	Philips	Philips	Philips
Luminous efficiency for 5050 led (lm/W)	240	240	240	240
Total luminous flux for 5050 led (lm)	18000±5%	24000±5%	36000±5%	48000±5%
Light efficacy for 5050 luminaire (lm/W)	200	200	200	200
Luminous efficiency for 3030 led (lm/W)	230	230	230	230
Total luminous flux for 3030 led (lm)	17000±5%	23000±5%	34500±5%	46000±5%
Light efficacy for 3030 luminaire (lm/W)	185	185	185	185
Correlated color temperature (K)	3000-6500	3000-6500	3000-6500	3000-6500
Color rendering index (Ra)	≥75	≥75	≥75	≥75
Beam angle (°)	140° *50°	140° *50°	140° *50°	140° *50°
LED lifespan (h)	100,000	100,000	100,000	100,000
Working temperature (°C)	-40~+55°C	-40~+55°C	-40~+55°C	-40~+55°C
IP protection	IP66	IP66	IP66	IP66
IK protection	IK08	IK08	IK08	IK08
Brand of led driver	Inventronics led driver	Inventronics led driver	Inventronics led driver	Inventronics led driver
Installation mode of led driver	built-in	built-in	built-in	built-in
NEMA light sensor	optional	Optional	Optional	optional
Dimensions (mm)	467*115*75	564*221*75	642*241*75	740*276*75
Weight (Kg)	2.6	3.2	4.0	5.0
Installation of pipe diameter (mm)	Φ60	Φ60	Φ60	Φ60
Warranty	5 year	5 year	5 year	5 year

Product mounting and tilt adjustment:



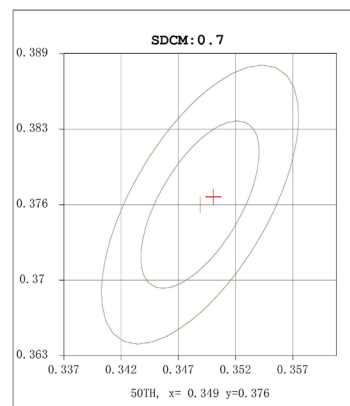
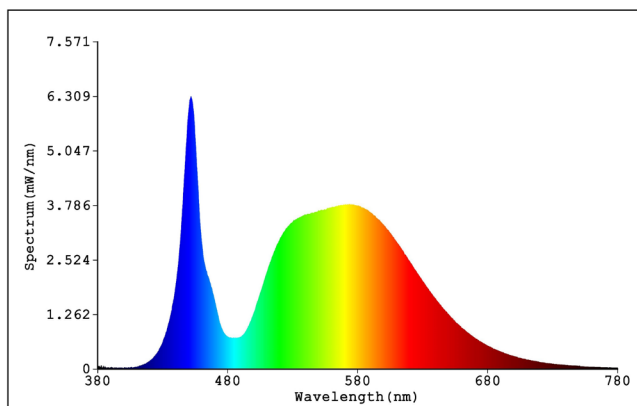


Test report of luminous efficiency of 5050 led chip:



Test report
EVERFINE LEDspec Test Report

Spectrum Test Report



Color Parameters:

Chromaticity Coordinate (2Deg): $x=0.3505$ $y=0.3770$ / $u'=0.2055$ $v'=0.4973$ $duv=1.013e$
 $Tc=4900K$ Dominant WL: $Ld=567.6nm$ Purity=18.3%
 Ratio: R=13.7% G=83.3% B=3.0% Peak WL: $Lp=451.9nm$ HWL: 15.4nm
 Render Index: $Ra=70.8$ AvgR=58.7 Kred=8.29%
 R1 =65.92 R2 =76.64 R3 =85.35 R4 =69.25 R5 =66.09
 R6 =67.59 R7 =83.35 R8 =51.86 R9 =-44.77 R10=44.83
 R11=64.47 R12=32.03 R13=68.03 R14=91.86 R15=58.30
 TM30 Parameters: $Rf = 75.1$, $Rg:90.0$
 TLCI Parameters: TLCI-2012 = 47

Photo Parameters:

Flux = 228.2 lm Eff. : 234.26 lm/W $Fe = 642.3 mW$ Eff.=65.932%
 $e=2.953e+000\mu mol/s$ blue ratio=3.44 fluo. eff.=5.108e-001
 Photosynthetic (400-700nm): PPF: 2.8969 $\mu mol/s$
 PRF: 632.77mW
 Eff (PPF): 2.97 $\mu mol/s/W$
 EQE (%): 632.90

Electrical parameters:

VF = 21.64 V IF = 45.01 mA P = 974.1 mW Ch1
 LEVEL:*0 [OUT] WHITE:5000K