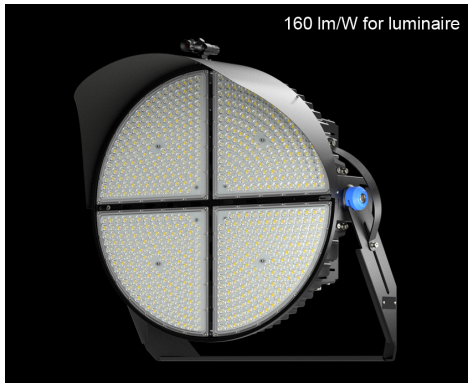


# SZG325 high power led stadium floodlight



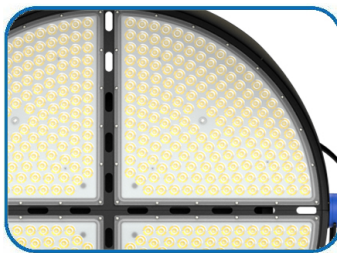
## Applications:

- indoor and outdoor sports venues
- football field and golf course
- high pole lights: highway overpasses, urban road junctions, port terminal freight yards, highway service areas, oil depots and oil tanks, railway freight forwarders, lamp bridges and lighthouses, etc.
- industrial and mining enterprises large-scale plant, workshop, warehouse, equipment room, etc.
- city square, enterprise square
- driving, shore crane, gantry crane, etc.

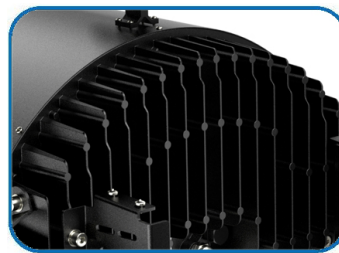
## Description of performances:

brand of led chip	luminous efficiency for led	light efficacy for luminaire	Max. irradiation distance	led driver	wide voltage input
PHILIPS	≥210 lm/W	≥160 lm/W	1500 m	Inventronics led driver	90~305 Vac
power factor	surge lightning protection	total harmonic distortion	beam angle	shell material	IP protection
≥0.95	6000 V	≤10%	10°/30°/45°/60°	ADC12 die-cast aluminum	IP66

## Product details:



Philips super high brightness led chip



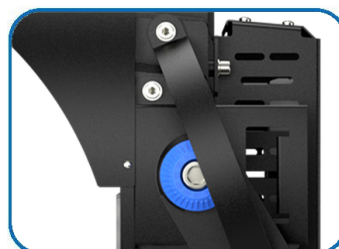
ADC12 die-cast aluminum housing



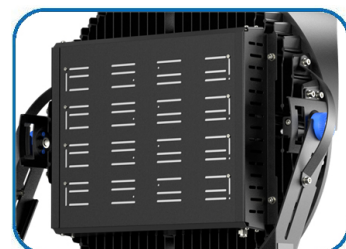
laser aiming and positioning



adjustable tilt

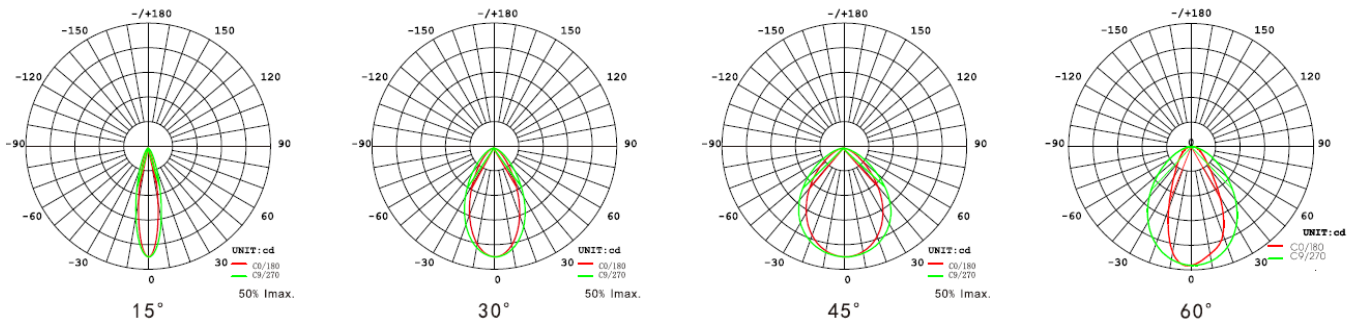


intercept cover (optional)



ventilation power box for fast heat dissipation

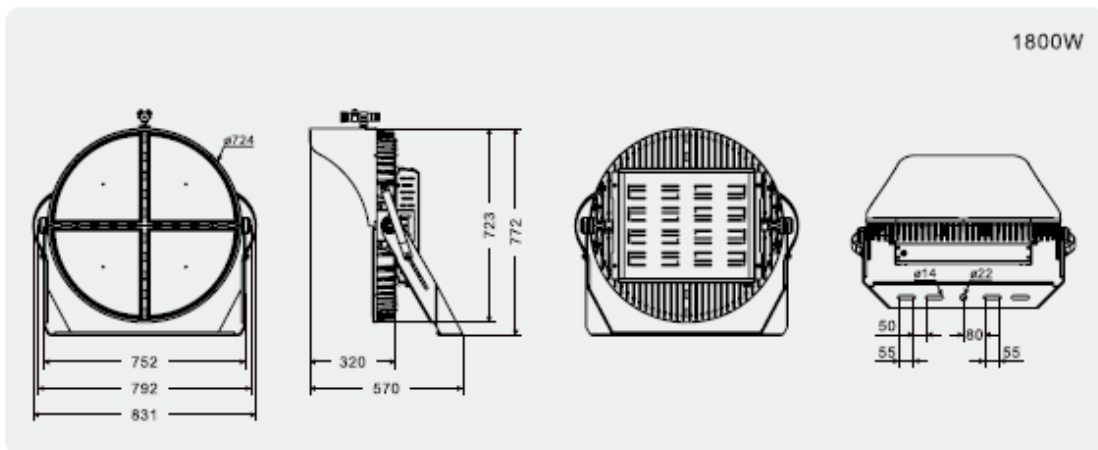
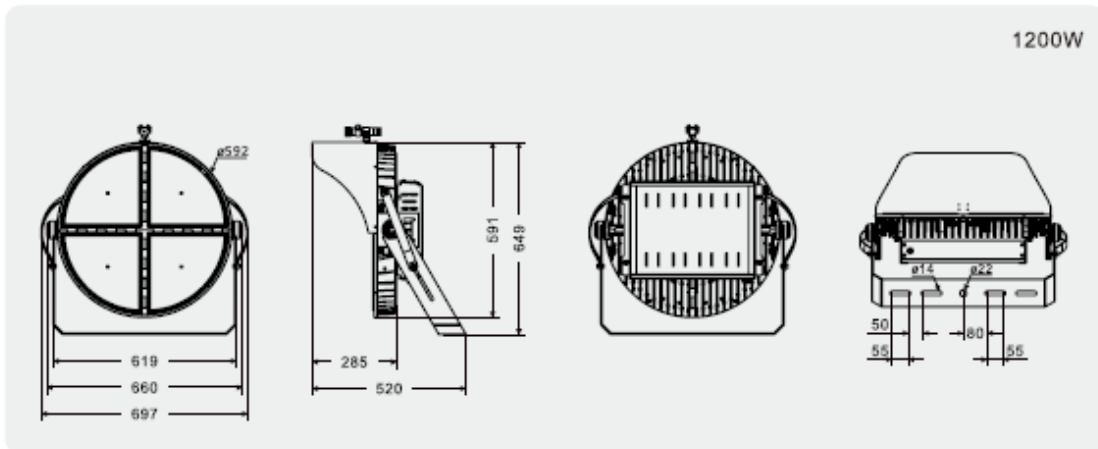
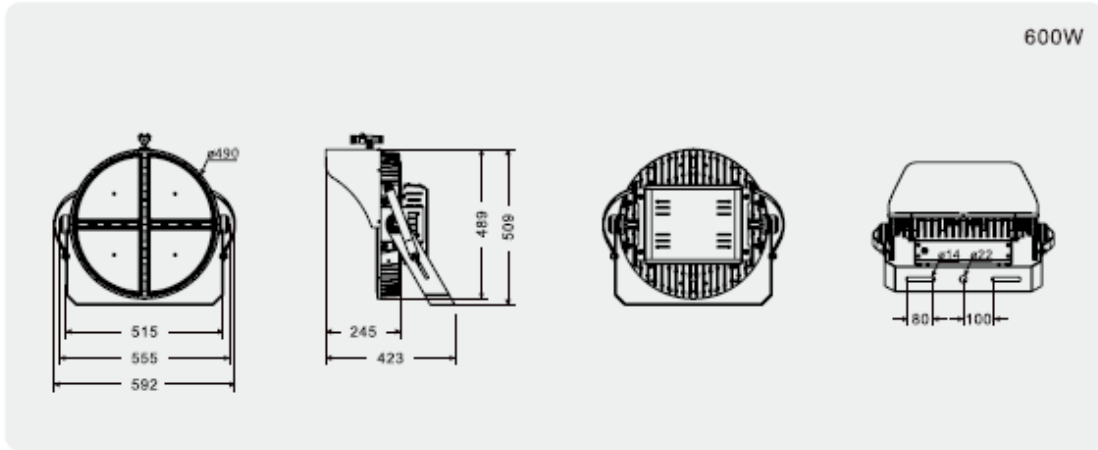
## Light distribution curves:



## Product profiles:



Product dimensions:



## Technical parameters:

Parameter items	600W	1200W	1800W
Input voltage (V)	90-305Vac	90-305Vac	90-305Vac
Power efficiency	≥91%	≥91%	≥91%
Power factor	≥0.95	≥0.95	≥0.95
Surge lightning protection (V)	6000	6000	6000
Total harmonic distortion	≤10%	≤10%	≤10%
Brand of led chip	Philips	Philips	Philips
Luminous efficiency for led (lm/W)	≥210	≥210	≥210
Total luminous flux for led (lm)	126000±5%	252000±5%	378000±5%
Luminous efficacy for luminaire (lm/W)	≥160	≥160	≥160
Correlated color temperature (K)	3000-6500	3000-6500	3000-6500
Color rendering index (Ra)	≥75	≥75	≥75
Beam angle (°)	10°/30°/45°/60°	10°/30°/45°/60°	10°/30°/45°/60°
LED lifespan (h)	100,000	100,000	100,000
LED driver	Inventronics	Inventronics	Inventronics
Installation mode of led driver	external	external	external
Working temperature (°C)	-40~+55°C	-40~+55°C	-40~+55°C
IP protection	IP66	IP66	IP66
Dimensions (mm)	592*509*423	697*649*520	831*772*570
Weight (Kg)	20	27	47
Mounting mode	U-bracket	U-bracket	U-bracket
Warranty	5 years	5 years	5 years

Note: intercept cover optional



## Test report of luminous efficiency of led chip:

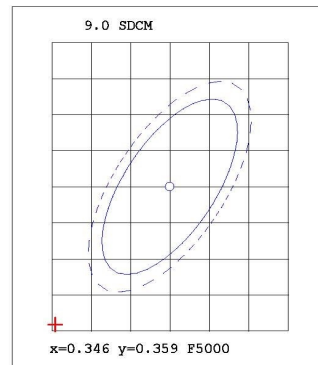
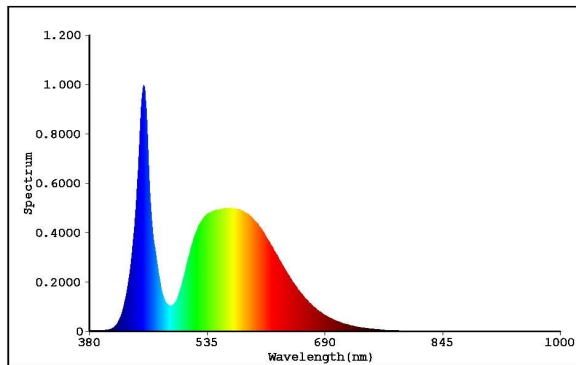
**EVERFINE** 远方

Test report

EVERFINE LEDspec Test Report

2 Of 4

### Spectrum Test Report



#### Color Parameters:

Chromaticity Coordinate(2Deg): $x=0.3314$   $y=0.3399$ / $u'=0.2066$   $v'=0.4768$   $duv=-1.324e-004$

Tc=5545K Dominant WL:Ld=536.9nm Purity=1.5%

Ratio:R=14.1% G=82.3% B=3.7% Peak WL:Lp=451.4nm HWL:19.7nm

Render Index:Ra=75.7

R1 =74.64      R2 =79.78      R3 =80.99      R4 =76.68      R5 =74.83

R6 =71.19      R7 =83.59      R8 =63.76      R9 =-11.12      R10=49.49

R11=73.52      R12=44.41      R13=75.32      R14=89.03      R15=71.15

TM30 Parameters: Rf = 72.8, Rg:94.9

#### Photo Parameters:

Flux = 143.7 lm    Eff. : 208.44 lm/W    Fe = 440.0 mW

#### Electrical parameters:

VF = 5.750 V      IF = 119.9 mA      P = 689.4 mW Ch1

LEVEL:\*\* [OUT]      WHITE:ANSI\_5700K

Status: T=140.00ms    Ip=47130 (72%)    [ HAAS1200\_V1\_USB ] V2.00.288

Model:120MA  
 Tester:D.U.01.0151 24V  
 Temperature:25.3Deg  
 Manufactory:EVERFINE  
 Assessor:damin  
 System:WY + HAAS1200\_V1\_USB

Number:3  
 Date:2021-06-05 16-40  
 Humidity:65.0%  
 Remarks:---