

SZG110 series of UFO led high bay light



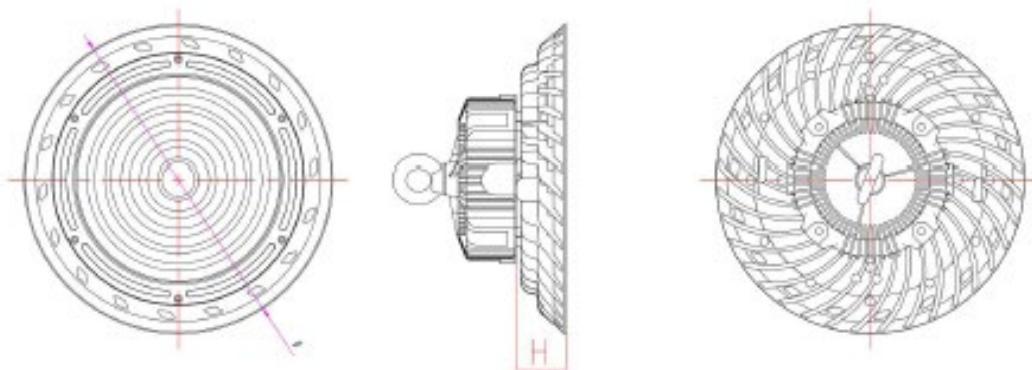
Applications:

- plant, workshop, warehouse, etc.
- coal shed, cargo shed, logistics center, etc.
- convention and exhibition centre
- exhibition hall
- reception hall
- terminal waiting hall
- indoor sports venues

Descriptions of performance:

brand of led chip	luminous efficacy of led chip	light efficacy of luminaire	brand of led driver	wide input voltage	power efficiency
PHILIPS	210 lm/W	160 lm/W	Trismart Lighting	90~305 Vac	≥94%
power factor	total harmonic distortion	surge lightning protection	beam angle	shell material	IP protection
≥0.95	≤10%	6000 V	90° / 120°	ADC12 die-cast aluminum	IP66

Product profile:



Product details:



finished aluminum substrate
installation surface, rapid heat



ring lens with higher light efficiency

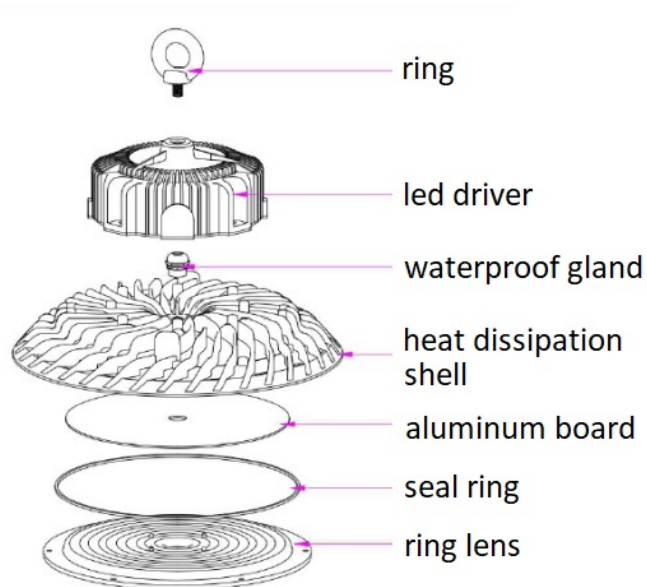


power efficiency: 94%
luminous efficacy of luminaire: 155lm/W



precision die-casting of large-area aluminum

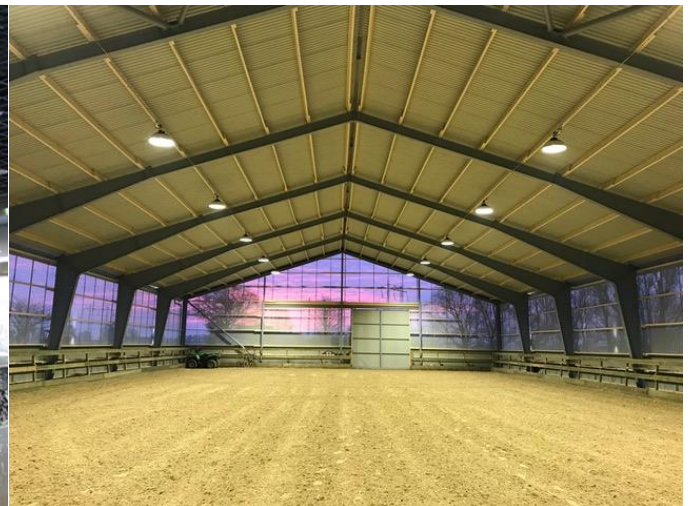
Picture of explode product:



Technical parameters:

Parameter items	100W	150W	200W
Input voltage (V)	90-305Vac	90-305Vac	90-305Vac
Power efficiency	94%	94%	94%
Power factor	≥0.95	≥0.95	≥0.95
Surge lightning protection (V)	6000	6000	6000
Total harmonic distortion	≤10%	≤10%	≤10%
Quantity of led chip (pcs)	160	240	320
Luminous efficiency for led (lm/W)	210	210	210
Total luminous flux (lm)	20000±5%	30000±5%	40000±5%
Light efficacy for luminaire (lm/W)	160	160	160
Correlated color temperature (K)	3000-6500	3000-6500	3000-6500
Color rendering index (Ra)	≥75	≥75	≥75
Beam angle (°)	90° / 120°	90° / 120°	90° / 120°
LED lifespan (h)	≥100,000	≥100,000	≥100,000
Working temperature (°C)	-40~+50°C	-40~+50°C	-40~+50°C
IP protection	IP66	IP66	IP66
IK protection	IK08	IK08	IK08
Installation mode of led driver	external	external	external
Dimensions (mm)	φ 280*105	φ 330*105	φ 380*115
Weight (Kg)	2.0	2.5	3.5
Mounting mode	Ring/U-bracket	Ring/U-bracket	Ring/U-bracket
Warranty	5 year	5 year	5 year

Note: reflector optional



Test report of luminous efficiency of led chip:

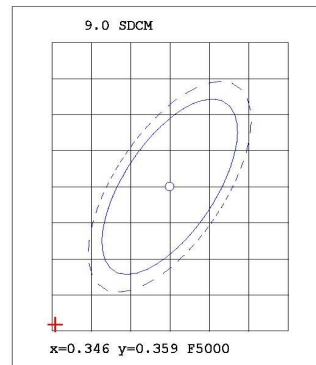
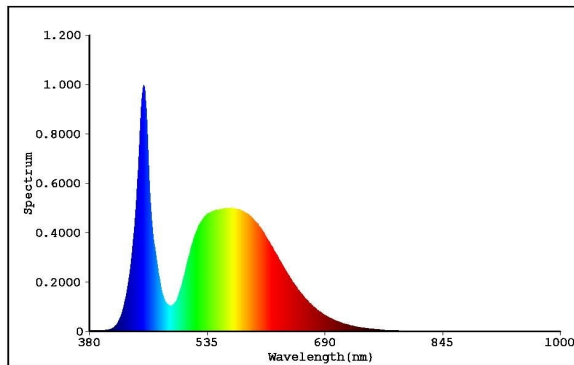
EVERFINE 远方

Test report

EVERFINE LEDspec Test Report

2 Of 4

Spectrum Test Report



Color Parameters:

Chromaticity Coordinate(2Deg): $x=0.3314$ $y=0.3399$ / $u'=0.2066$ $v'=0.4768$ $duv=-1.324e-004$

Tc=5545K Dominant WL:Ld=536.9nm Purity=1.5%

Ratio:R=14.1% G=82.3% B=3.7% Peak WL:Lp=451.4nm HWL:19.7nm

Render Index:Ra=75.7

R1 =74.64 R2 =79.78 R3 =80.99 R4 =76.68 R5 =74.83

R6 =71.19 R7 =83.59 R8 =63.76 R9 =-11.12 R10=49.49

R11=73.52 R12=44.41 R13=75.32 R14=89.03 R15=71.15

TM30 Parameters: Rf = 72.8, Rg:94.9

Photo Parameters:

Flux = 143.7 lm Eff. : 208.44 lm/W Fe = 440.0 mW

Electrical parameters:

VF = 5.750 V IF = 119.9 mA P = 689.4 mW Ch1

LEVEL:** [OUT] WHITE:ANSI_5700K

Status: T=140.00ms Ip=47130 (72%) [HAAS1200_V1_USB] V2.00.288

Model:120MA
 Tester:D.U.01.0151 24V
 Temperature:25.3Deg
 Manufactory:EVERFINE
 Assessor:damin
 System:WY + HAAS1200_V1_USB

Number:3
 Date:2021-06-05 16-40
 Humidity:65.0%
 Remarks:---